

# NEO by Helioscreen

RETRACTABLE AWNING SYSTEM



The Neo by Helioscreen is the ultimate awning for convenience, protection, and affordability.

Simply press the remote control for smooth, effortless operation to protect you and your family from the elements.

Available in an extensive range of sizes, colours and fabric, it's the perfect awning to complement any building.

**Neo is a stand out system that combines quality materials and proven technology.**

When retracted back the fabric is protected against the elements by a colour-matched aluminium hood (optional).

## NEO FEATURES

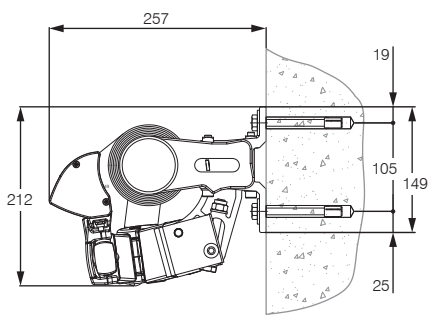
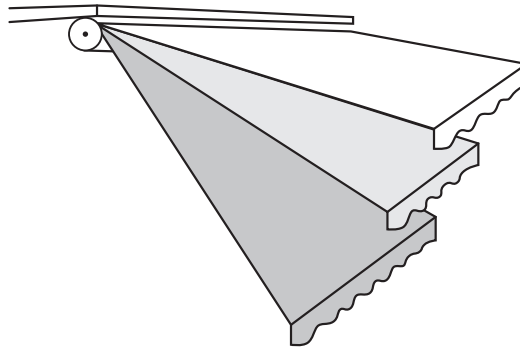
- Custom made sizes up to 7x3.5m in a single system
- Die cast aluminium shoulders and fittings for extended life
- Stainless steel hardware to resist the weather
- High tension spring arms with 4 cables
- Galvanised 80mm roller tube and torsion bar
- Variety of mounting brackets for a custom installation to your home
- Fabrics – Over 200 patterns and colours
- Frame – Standard white with option for over 120 custom Dulux colours
- Drive – Motorised or manual control
- Motorised sensor options – Wind, motion and rain
- Tilt control – Optional angle adjustment by hand
- 5 Year warranty



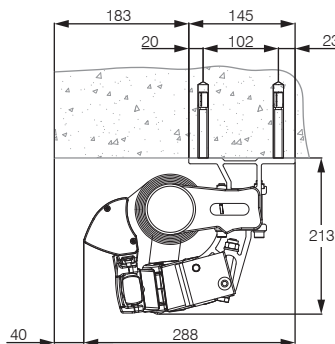


## FLEXIBLE TILT CONTROL

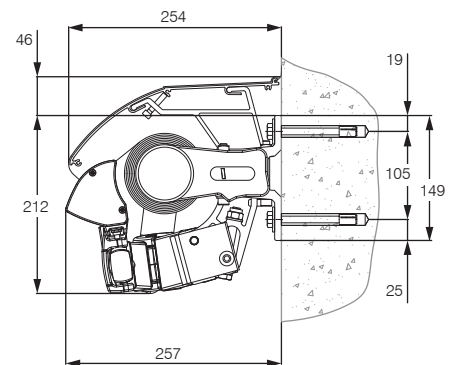
Optional Flexible Tilt control function enables you to have pitch control over the angle of the awning on systems up to a size of 6x3m. Operation is done by a manual gear in the awning shoulder and you can change it at any time with ease.



wall mount



top mount



wall mount with pelmet

### HELIOSCREEN'S INDOOR AND OUTDOOR RANGE

-  90% Reduced Heat Radiation
-  Windsensor Retractor
-  5 Year Warranty
-  Powered by Somfy 5-year motor warranty

Includes: Roller Blinds, Roman Blinds, Panel Glides, Blackouts, External Screens, Awnings, External Venetians, and Retractable Roof Systems.

**Helioscreen Australia Pty Ltd – Dealers Australia Wide**

[www.helioscreen.com.au](http://www.helioscreen.com.au) | [enquiries@helioscreen.com.au](mailto:enquiries@helioscreen.com.au) | Phone 1300 766 319

 **helioscreen**<sup>®</sup>  
Intelligent Sun Control Solutions<sup>®</sup>