

HELIOSHADE®

COCOON AWNING



HELIOSHADE
COLOUR DESIGN

*over 120 standard
frame colours*



 BEAUFORT WIND SCALE

Rated up to Category 5

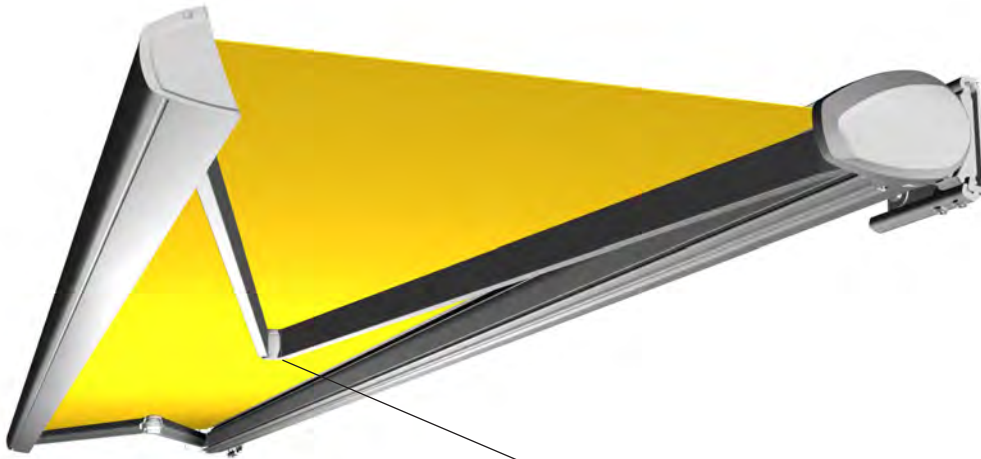
 5 YEAR WARRANTY

 **helioscreen**[®]
Intelligent Sun Control Solutions[®]

HELIOSHADE® COCOON CASSETTE

MINIMALIST DESIGN FOR CONTEMPORARY ARCHITECTURE

When modern architecture calls for slim and compact the Helioshade Cocoon Cassette awning offers the ideal shading solution. Designed for the minimalist, the Cocoon Full Cassette offers a slimline architectural finish along with full protection to the system and fabric when not in use. Utilising the highest quality materials available including chromatised aluminium, Dulux powder coating finishes, high grade stainless steel screws, power coated cast end caps along with precision engineering and design down to the last detail, ensures long lasting durability and functionality for many years.



Tested and proven to well over 70,000 full cycles, the Multiflex 4-cable arm system is the strongest of it's kind on the market. With daily use this is more than a 200 year life span.

Ideally suited to our harsh Australian conditions, the arm system is optimised for long lasting tautness of the fabric under extended heavy use.



STRONG ARMS – THE HEART OF THE AWNING

The Cocoon Cassette arm is characterised by its elegant, eye-catching design and convincing performance. All components have been developed to ensure smooth functioning and high durability, which have proved themselves in very demanding load tests. The use of high-quality aluminium profiles in combination with high-strength cast and drop-forged components stand for optimal safety even under extreme load. The specially developed Multiflex power band is made up of four tear-resistant steel cables sheathed in a highly flexible plastic material protecting against corrosion. It applies the force of spring movements in the arm sections and ensures proper tensioning of the awning, whilst still allowing flexibility during gusts of wind.



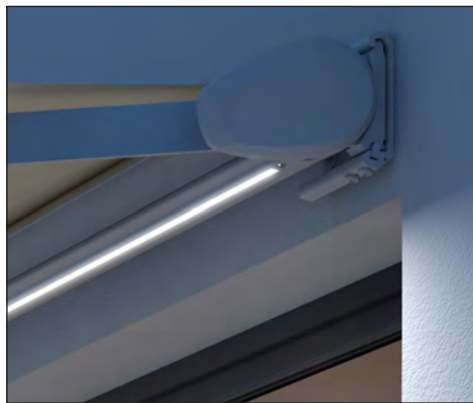


SYSTEM DETAIL

Max width	5,500mm
Max projection	3,500mm
Installation angle	5° - 50°
Standard operation	Motor (hand gear possible)
Fabric colours	Over 150 colours
Frame colours	Over 120 Dulux powder coat colours

COCOON CASSETTE

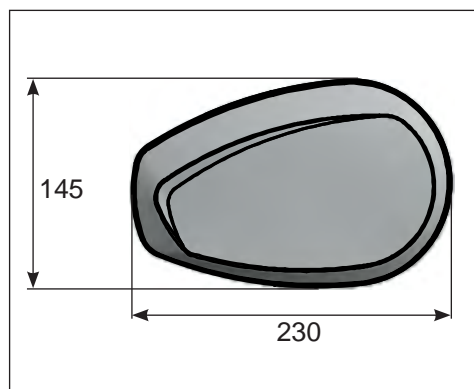
Max width	5,500mm
Max projection	3,500mm
Installation angle	5° - 50°
Standard operation	Motor (hand gear possible)
Fabric colours	Over 150 colours
Frame colours	Over 120 Dulux powder coat colours



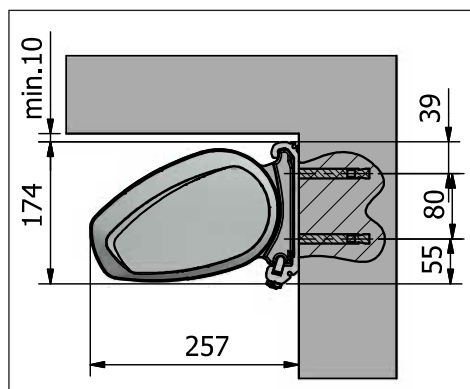
DIMMABLE LED LIGHTING

Optional LED lighting may be integrated into the bottom of the cassette which is recessed into the unit itself resulting in no increased size to the mounting of the awning. The only awning of this kind, the Cocoon offers 100 high powdered LEDs per meter, and with thanks to the hand held remote allows for complete dimmable lighting control at the touch of a button. The recessed LEDs may also be tilted +/- 45° for the perfect lighting to suit your area no matter what the size.

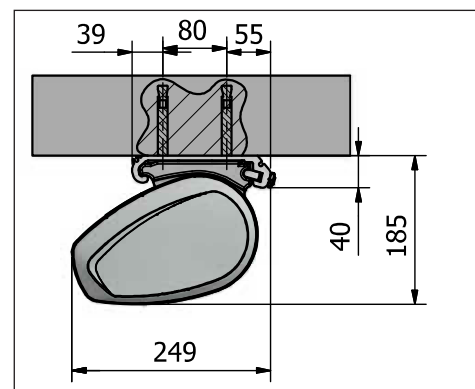
Cassette (dimensions in mm)



Face fix (dimensions in mm)



Top fix (dimensions in mm)



*For end cap dimensions please add 5mm



HELIOSHADE® AWNINGS

UNMATCHED PERFORMANCE FOR COMMERCIAL APPLICATIONS

The Helioscreen team have a proven reputation for outstanding performance when it comes to commercial awning projects. Offering an extensive range of products with local support and next generation solutions for over a quarter of a century. This is why Helioscreen as a company is synonymous with quality and high calibre service across Australia and New Zealand.

Using only the finest materials available from around the world each component is selected to exceed expectations. When coupled with precision engineering, innovation and the latest in advanced technology, Helioscreen awning systems have clearly proven to withstand the test of time.

Local assembly ensures precision results are made to order, and offers efficient turnaround times for production and after-market service. Production of our custom made textiles is done in-house with the latest innovative technology and we offer a choice of over 120 Dulux powder coat colours at no extra charge. This guarantees the best aesthetic results for each system. Furthermore, commercial grade powder coating is also available for prestigious projects.

Used nationwide in landmark hospitality venues including bars, restaurants, hotels, clubs and renowned commercial buildings, the

Helioscreen range has been the choice for many of Australia's leading architects, designers and builders over the past 25 years. Other commercial applications can be found at shopping centres, airports, apartment complexes, resorts, marinas, libraries, museums and universities.

Working to set new standards across our industry in functionality, performance and design, provides us with the opportunity to incorporate our intelligent sun control solutions towards long term sustainability by reducing energy consumption and contributing to an environmentally greener future.

Helioshade® external projects include:

Westfield Shopping Centre's, Coca Cola Sydney, Melbourne Blood Bank, Cockel Bay Wharf, Jaguar Motors, Bupa Health, Toowoomba Shopping Centre, Barossa Valley Vineyards, Sydney University, Jones Bay Wharf, Audi Sydney, Virgin Lounge, Newcastle Hospital, Hastings St Noosa, St Josephs College Brisbane, Austereo Melbourne, Salthouse Cairns, Toyota Adelaide, Perth Library, Woolloomooloo Finger Wharf, Top Ryde Shopping Centre, Melbourne Rowing Club, Adelaide Oval, Northgate Hobart, VW, Darling Island Apartments, Stocklands and Harley Davidson.



HELIOSCREEN'S INDOOR AND OUTDOOR RANGE

- 90% Reduced Heat Radiation
- Windsensor Retractor
- 5 Year Warranty
- Powered by Somfy 5-year motor warranty

Includes: Roller Blinds, Roman Blinds, Panel Glides, Blackouts, External Screens, Awnings, External Venetians, and Retractable Roof Systems.



Scan QR code for more info

Helioscreen Australia Pty Ltd – Dealers Australia Wide

www.helioscreen.com.au | enquiries@helioscreen.com.au | Phone 1300 766 319

